

# RackStar® 44

Project \_\_\_\_\_  
 Item \_\_\_\_\_  
 Quantity \_\_\_\_\_  
 CSI Section 11400  
 Approval \_\_\_\_\_  
 Date \_\_\_\_\_

RackStar® 44

## Models

RackStar 44



### Standard Features

- Adjustable Rinse System
- Rainbow Rinse™ with arched rinse arm design
- 19-3/4" (502 mm) clearance
- WISR® Cleaning System
- Double-wall insulated doors retain heat, keeping wash water hot & generating less heat in the dishroom
- Self-cleaning wash arms
- Fully automatic, including auto-fill
- Adjustable vent cowl collars
- Exclusive EnergyGuard™ controls
- Self-draining stainless steel wash pump
- Digital LED control panel
- Strike plate table limit switch
- Large front access for ease of maintenance
- Stainless steel strainer pans
- Splash shields
- Stainless steel frame and legs
- Exhaust vent fan control
- 15kW wash tank heater
- Front dress panel
- Adjustable bullet feet

### Mandatory Specs

Specify:

- Electric  
 Steam

Specify Voltage \_\_\_\_\_

Specify Sanitizing Method:

- High Temperature  
 Chemical Sanitizing

Specify Direction of Operation:

- Left to Right  
 Right to Left

### Options

- Onboard Booster  
 40° F (22.2° C) Rise  
 70° F (38.9° C) Rise  
 Single Point Connection with Onboard Booster (3 phase only)  
 Steam Booster Heater  
 23" (584 mm) Unhooded Side Loader  
 30" (762 mm) Unhooded Side Loader  
 1/2" Pressure Regulator  
 Flanged Feet  
 Prison Package

### Accessories

- 36-Compartment Rack  
 4-1/8" tall (104 mm)  
 5 - 5/8" tall (143 mm)  
 7" tall (178 mm)  
 Combination Rack  
 Peg Rack  
 Sheet Pan Rack  
 Drain Quench System  
 Scaltrol  
 Water Hammer Arrestor

### Specifications

Uses 0.35 gallons of water (1.32 liters) per rack in Econo Rinse mode

Uses 0.52 gallons of water (1.97 liters) per rack in Turbo Rinse mode

Cleans 223 racks per hour

Durable stainless steel construction

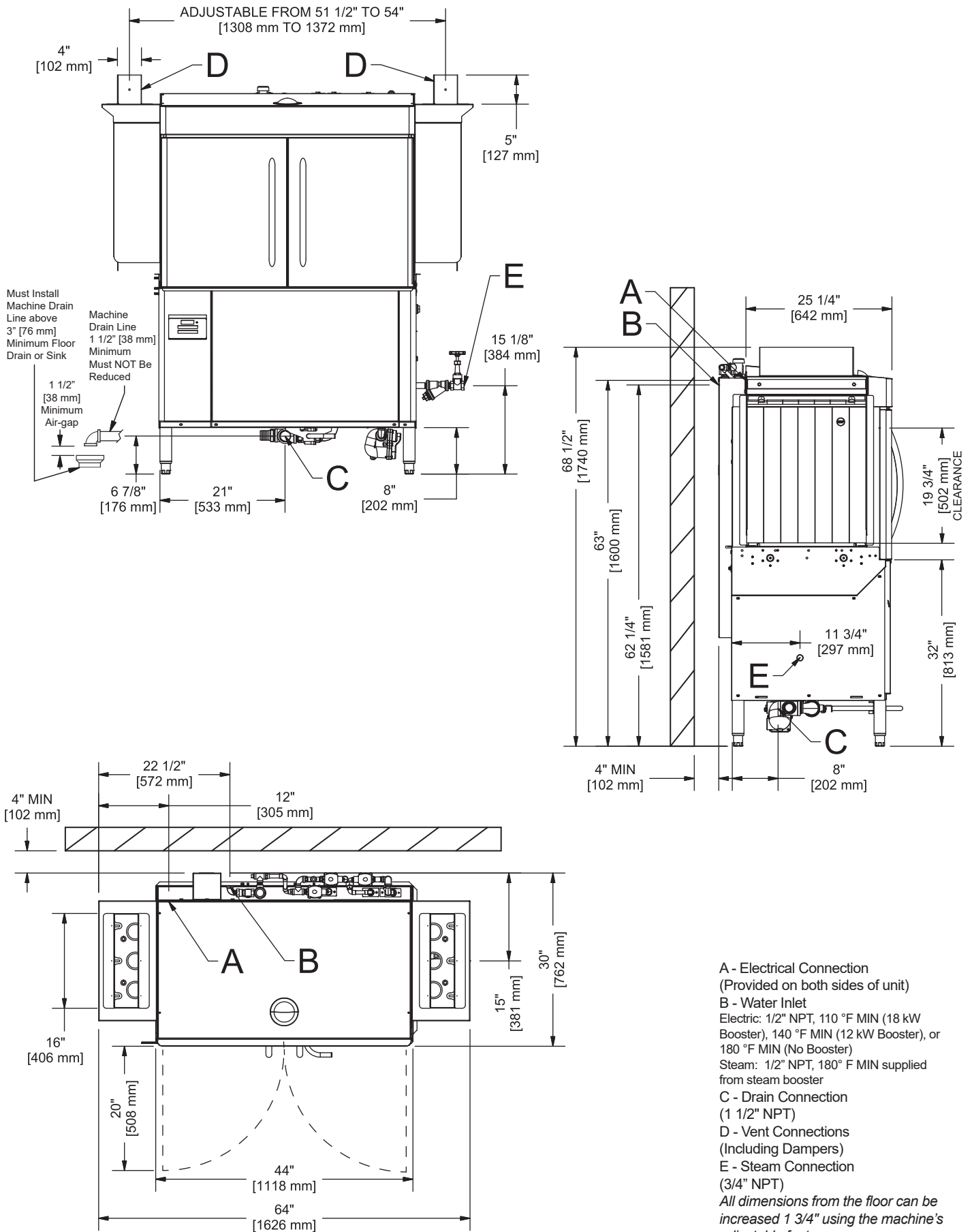


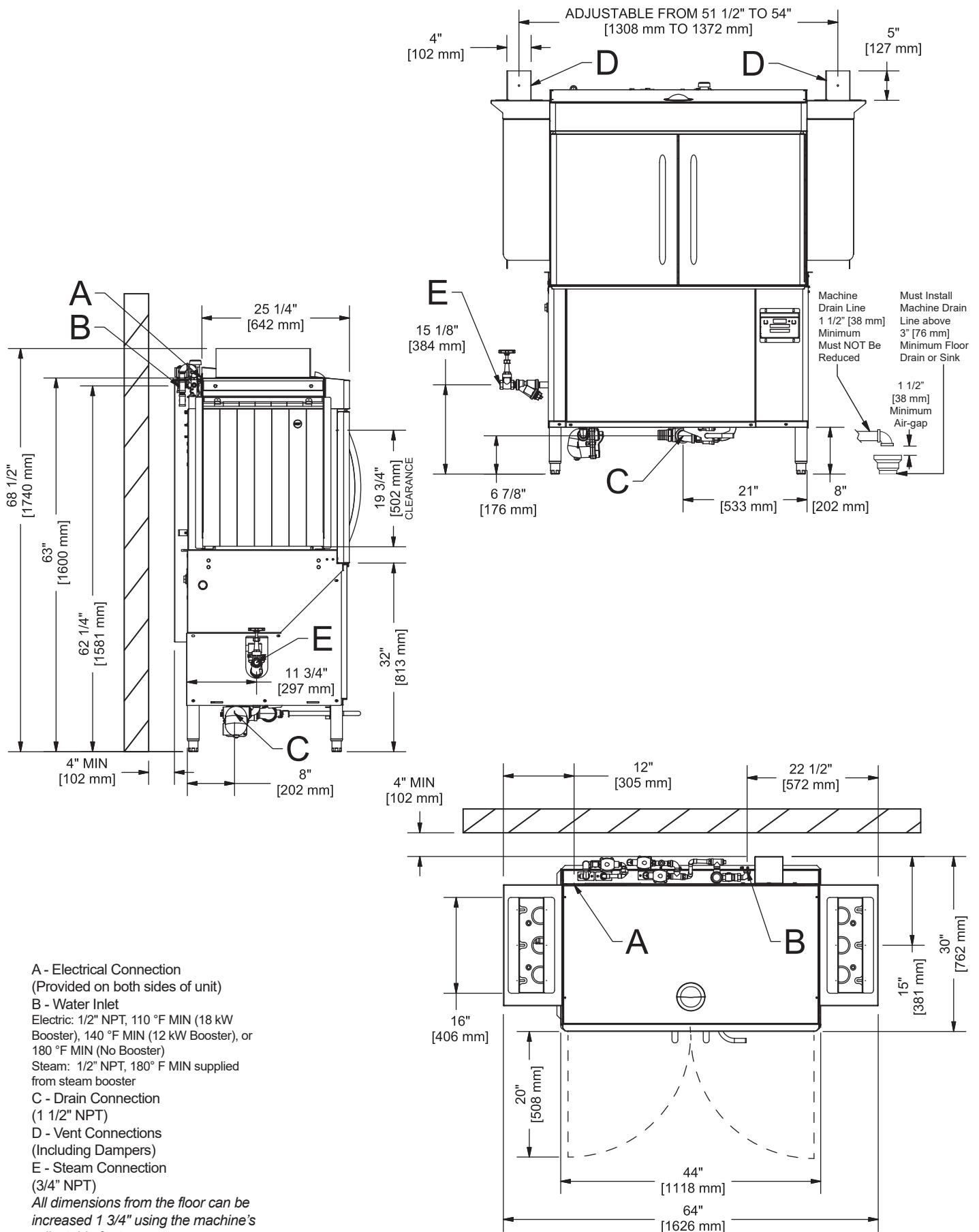
Intertek



# RackStar® 44

Left to Right

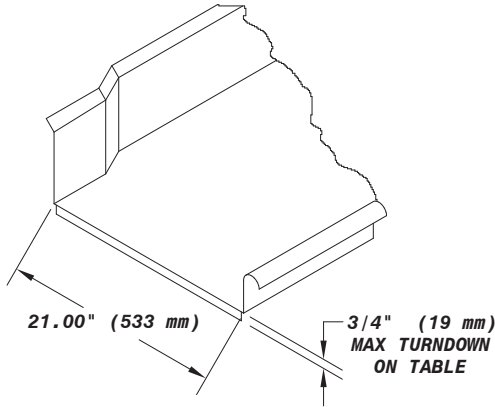




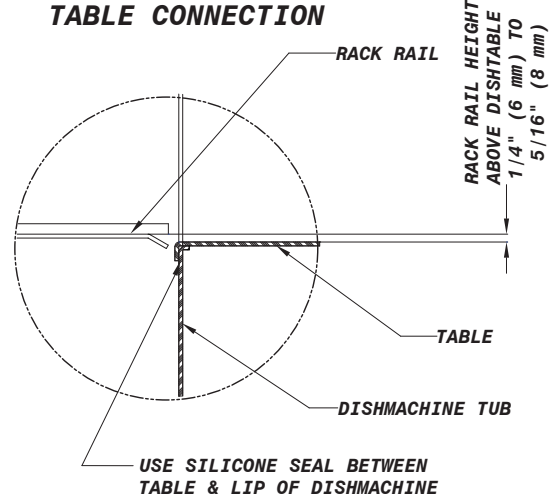
- A - Electrical Connection  
(Provided on both sides of unit)
- B - Water Inlet  
Electric: 1/2" NPT, 110 °F MIN (18 kW  
Booster), 140 °F MIN (12 kW Booster), or  
180 °F MIN (No Booster)  
Steam: 1/2" NPT, 180° F MIN supplied  
from steam booster
- C - Drain Connection  
(1 1/2" NPT)
- D - Vent Connections  
(Including Dampers)
- E - Steam Connection  
(3/4" NPT)

All dimensions from the floor can be increased 1 3/4" using the machine's adjustable feet.

## RECOMMENDED TABLE FABRICATION



## TABLE CONNECTION



MODEL NO.	MACHINE DIMENSIONS					DRAIN HEIGHT	SHIPPING INFORMATION					
	HEIGHT	LENGTH BETWEEN DISHTABLES	DEPTH	DEPTH WITH DOORS OPEN	WEIGHT		CLASS	CUBE	HEIGHT	WIDTH	DEPTH	
RackStar 44	64-1/2" (1632 mm)	44" (1118 mm)	30" (762 mm)	50" (1270 mm)	6-1/2" (165 mm)	802 lbs (364 kg)	150	131.94 cu. ft.	75" (1905 mm)	76" (1931 mm)	40" (1016 mm)	

### OPERATING CAPACITY

	High-Temperature	Chemical Sanitizing
Racks per Hour	223	223
Dishes per Hour	5,575	5,575
Glasses per Hour	8,028	8,028

### OPERATING TEMPERATURES

	High-Temperature	Chemical Sanitizing
Wash (minimum)	160° F (71° C)	120° F (49° C)
Rinse (minimum)	180° F (82° C)	120° F (49° C)

### ELECTRICAL REQUIREMENTS

	Approximate Total Load AMPS	
	Electric Tank Heat	Steam
208V/60HZ/3PH	51.3	9.7
208V/60HZ/1PH	83.9	11.8
230V/60HZ/3PH	44.1	9.5
230V/60HZ/1PH	71.7	11.8
460V/60HZ/3PH	22.1	4.8

### BOOSTER HEATER OPTIONS

	40° F (22.2° C) Minimum Rise		70° F (38.9° C) Minimum Rise	
	kW	AMPS	kW	AMPS
208V/60HZ/3PH	12	33.3	17.2	47.7
208V/60HZ/1PH	12	57.7	17.2	82.7
230V/60HZ/3PH	12	27.7	18	41.5
230V/60HZ/1PH	12	47.9	18	71.9
460V/60HZ/3PH	12	13.8	18	20.7

\*Total amp draw for a single point connection with onboard booster heater (3 phase only) is calculated by adding the amp load for the booster heater to the amp load for the machine.

HOW TO SPECIFY: RackStar 44

### WATER REQUIREMENTS

Inlet Temperature (minimum)	
With 40° F (22.2° C) Rise Booster Heater	140° F (60° C)
With 70° F (38.9° C) Rise Booster Heater	110° F (43° C)
Gallons per Hour (Econo Rinse / Turbo Rinse)	78 gal (295 L) / 116 gal (239.1 L)
Gallons per Rack (Econo Rinse / Turbo Rinse)	0.35 gal (1.3 L) / 0.52 gal (1.97 L)
Waterline Size IPS (minimum)	1/2"
Drainline Size IPS (minimum)	1-1/2"
Flow Pressure (PSI)	15
Flow Rate GPM (minimum)	1.30 (4.9 LPM)
Wash Tank Capacity	25 gal (95 L)

### WASH PUMP

Wash Pump Motor	3 hp
Wash Pump Capacity	270 GPM (1022 LPM)

### CONVEYOR

Conveyor Motor	1/4 hp
Conveyor Speed (feet per minute)	6.07 FPM (1.85 MPM)

### VENTING REQUIREMENTS

Input End	200 CFM
Output End	200 CFM
Total CFM	400 CFM

### STEAM COIL TANK HEAT (STEAM MODELS ONLY)

Steam Connection IPS	3/4"
Steam Flow Pressure (PSIG)	10-20
Consumption @ 15 PSIG (lbs/hr)	60

## Jackson WWS, Inc.

Shipping Address: 6209 North U.S. Highway 25E, Gray, KY 40734

Mailing Address: P.O. Box 1060, Barbourville, KY 40906

Telephone: 888-800-5672 • Fax: 606-523-1799

Email: info@jacksonwws.com

07610-004-34-33 [03/19/18]

www.jacksonwws.com